

Pipe Laying Hook RLH

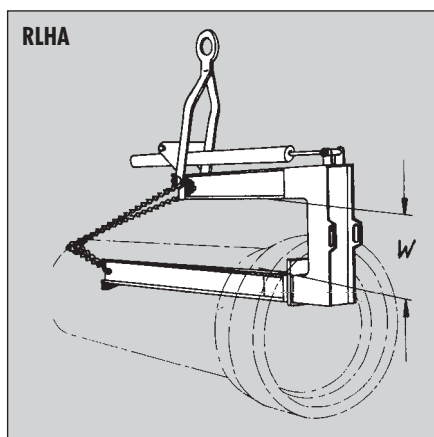
Ensures greater safety and saves time when laying pipes.

- ▶ For pipes up to 1 m length.

Standard Specifications:

- ▶ Eyelet for attaching to crane hook.
- ▶ Safety chain
- ▶ Handle for safer insertion into the pipe.

Type	Width W mm (in)	Carrying Capacity kg (lbs)	Dead Weight kg (lbs)	Order-Number
RLH 1	190 (7 1/2")	1,000 (2,200)	24 (55)	5400.0001
RLH 3	260 (10 1/4")	3,000 (6,600)	45 (100)	5400.0002



Pipe Laying Hook RLHA

With automatic center-of-gravity balance and adjustable stop buffer.

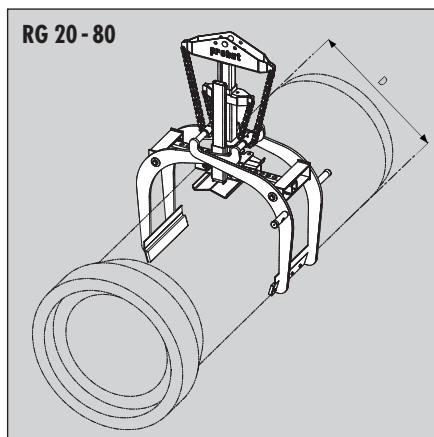
- ▶ For pipes up to 3 m.

Standard Specifications:

- ▶ Safety chain
- ▶ Handle for safer insertion into the pipe.

Type	Width W mm (in)	Carrying Capacity kg (lbs)	Minimum Load kg (lbs)	Dead Weight kg (lbs)	Order-Number
RLH 1 A	300 (12")	1,000 (2,200)	350 (770)	180 (395)	5400.0010
RLH 3 A	460 (18")	3,000 (6,600)	1,000 (2,200)	310 (680)	5400.0011
RLH 7,5 A	500 (20")	7,500 (16,500)	3,000 (6,600)	730 (1,610)	5400.0012

The stated minimum load is necessary if the automatic center-of-gravity balancer is to function.



Round Grab RG 20 - 80

For pipe outside diameter 200 – 800 mm.

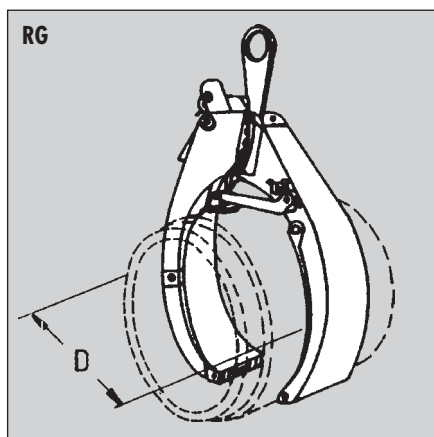
Exchangeable rubber metal bars to prevent coated or stoneware pipes from damage.

- ▶ With adjustable opening width by spring loaded bolts.

Standard Specifications:

- ▶ With crane eye for attaching to crane hook.
- ▶ With automatic release mechanism which means no additional operating personnel are needed.
- ▶ With height adjustment bars.

Type	Outside Diameter of Pipe D mm (in)	Gripping Width mm (in)	Carrying Capacity kg (lbs)	Dead Weight kg (lbs)	Order-Number
RG 20-80	200 – 800 (7 3/4 – 31 1/2")	420 (16 1/2")	1,500 (3,300)	92 (205)	5450.0002



Round Grab RG

Specially for laying sewer pipes.

Wider gripper arms mean that coated pipes are not damaged.

- ▶ Can be used in narrow ditches as little room is needed on either side for the grab to work.

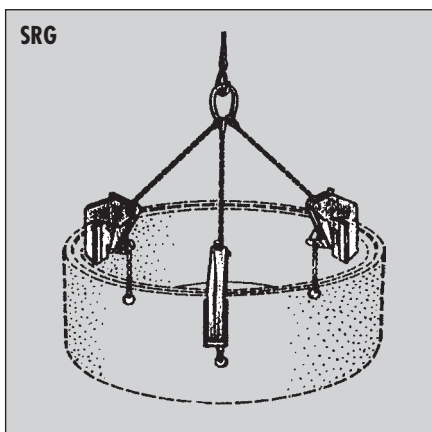
Specially designed to lay small diameter sewer pipes.

- ▶ Large opening range
- ▶ Mechanically operated

Standard Specifications:

- ▶ Crane eye for attaching to crane hook.
- ▶ No additional operating personnel are needed.

Type	Outer Diameter of Pipes D mm (in)	Gripping Width mm (in)	Carrying Capacity kg (lbs)	Dead Weight kg (lbs)	Order-Number
RG 1,5-40	200–430 (7 3/4 – 17")	230 (9")	1,500 (3,300)	38 (85)	5430.0001
RG 1,5-80	300–800 (11 3/4 – 31 1/2")	350 (13 3/4")	1,500 (3,300)	90 (200)	5430.0007
RG 3-120	600–1,250 (23 1/2 – 49")	550 (21")	3,000 (6,600)	300 (660)	5430.0003
RG 5-170	800–1,750 (31 1/2 – 69")	700 (27 1/2")	5,000 (11,000)	620 (1,370)	5430.0005
RG 10-200	1,000–2,000 (39 – 79")	750 (29 1/2")	10,000 (22,000)	1,080 (2,380)	5430.0006
RG 12-250	1,500–2,500 (59 – 98")	750 (29 1/2")	12,000 (26,450)	1,450 (3,200)	5430.0004

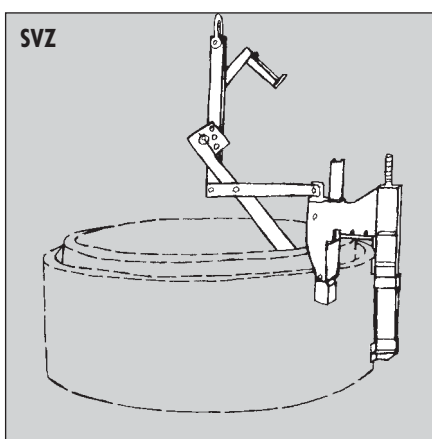


Manhole and Cone Chain Clamp SRG

For transporting manhole rings and cones. New: Manhole and Cone Chain Clamp SRG-uni, especially easy handling and light-weight. Automatically adjustable clamping range of the

claws to the thickness of the pipe walls. Type 3/160 and 3L/160 also with automatic adjustment, the others with manual adjustment (not suitable for green products).

Type	Gripping Range ID of manhole mm (in)	Number of Claws	Opening Width of Claws mm (in)	Carrying Capacity kg (lbs)	Dead Weight kg (lbs)	Order-Number
SRG-uni 1,5	800-2,000 (31½ - 79")	3	40-120 (1½ - 4¾")	1,500 (3,300)	21 (45)	5440.0015
SRG-uni 3	800-2,000 (31½ - 79")	3	60-180 (2¼ - 7")	3,000 (6,600)	40 (88)	5440.0014
SRG 1,5	400-2,000 (15½ - 79")	3	40-120 (1½ - 4¾")	1,500 (3,300)	31 (70)	5440.0001
SRG 3	400-2,000 (15½ - 79")	3	50-180 (2 - 7")	3,000 (6,600)	53 (115)	5440.0002
SRG 3 L	400-3,000 (15½ - 118")	3	50-180 (2 - 7")	3,000 (6,600)	57 (125)	5440.0003
SRG 3/160	400-2,000 (15½ - 79")	3	60-160 (2¼ - 6¼")	3,000 (6,600)	50 (110)	5440.0011
SRG 3 L/160	400-3,000 (15½ - 118")	3	60-160 (2¼ - 6¼")	3,000 (6,600)	52 (115)	5440.0012



Manhole and Cone Installation Clamp SVZ

Especially developed for installing manholes and eccentric cones, inside diameter 1,000 and 1,200 mm. The new kind of working with the SVZ enables the effect of rationalization. The manholes can be picked up from the driver of the excavator by himself and can be installed exactly vertically.

Optimal security!

- For manholes of a max. height of 1.000 mm.
- The suspension can be adjusted, all manholes and cones are hanging exactly vertically.

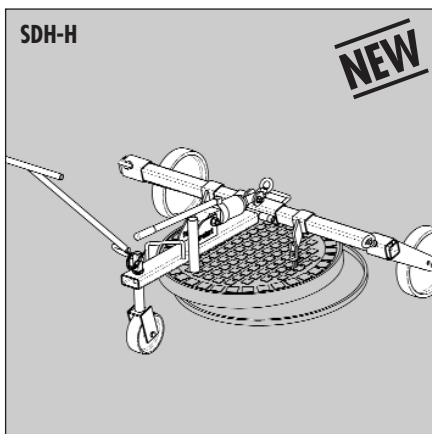
► Manual adjustment for different wall thickness.

► Not suitable for green products!

Standard Specifications:

- With automatic release.
- Lifting eye for attaching to cranes.
- Height stop rubber protected, therefore no damages on the seal of the manholes.

Type	Rings + Cones ID mm (in)	Opening Width mm (in)	Carrying Capacity kg (lbs)	Dead Weight kg (lbs)	Order-Number
SVZ 100	1,000 (39")	75 - 155 (3 - 6")	1,100 (2,430)	44 (95)	5400.0016
SVZ 120	1,000 + 1,200 (39 + 47")	80 - 235 (3¼ - 9 ¼")	1,300 (2,850)	95 (210)	5400.0015



Hydraulic Manhole Cover Lifter SDH-H

Heavy duty professional device. Universally suitable to lift and move away all common sizes of covers.

- High break-out force up to 1,500 kg.

► Can be taken to pieces within seconds in order to be stowed in each carboot.

Basic device, keys and spreader bars have to be ordered separately.

Type	Max. wheel-span mm (in)	Hook centres max./min. mm (in)	Lifting height mm (in)	Carrying Capacity kg (lbs)	Dead Weight kg (lbs)	Order-Number
SDH-H 15	1,050 (41")	260/950 (10¼/37½")	310 (12¼")	1,500 (3,300)	36 (80)	5480.0002

Accessories:

Type	Description	Order-Number
Set of keys and spreader bar/s	2 hooks A	4480.0019
	2 hooks B	4480.0020
	4 hooks C	4480.0017
	1 Spreader bar small	4480.0008
	2 Spreader bars large	4480.0018
Set of keys and spreader bars UK	2 hooks A, 2 hooks B, 4 hooks C, 1 Spreader bar small, 2 Spreader bars large	S-5480.0004
Aluminium Tool Box	Size 1.195 x 305 x 203 mm to stow the complete SDH-H including all accessories. Box made of aluminium.	5480.0003

